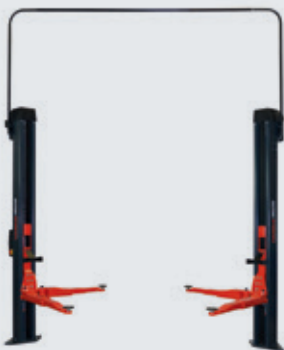


Maestro 32 M

Electro-mechanical 2-post lift, 3.2 t capacity



Application

- Repair and maintenance

Description:

Posts:

- Asymmetric post installation, vehicles can be positioned in rear area of work bay, for better door-opening angle
- Very stable bent posts
- Without base frame, therefore free drive-in situation
- Two strong electric motors
- Cold-rolled spindles for high durability
- Nylon nut sets for high durability
- Long carriage with optimized mounting of 8 sliding blocks for low friction
- Carriage with threaded holes for easy adoption of diverse superstructures
- Door-stop mounted on carriage
- Obstruction system for stopping the lift when it hits an obstacle
- Pushbutton control unit with alarm signal
- Programmable limit switch for top stop and CE-stop
- Electronic synchronization through comparison of pulses measured on the pulleys

Arms:

- Universal lifting area from small passenger car up to BMW series 7 long G12
- Open locking system
- Possibility of parallel parking of arms for easier and faster positioning of vehicles
- Arms can be opened more than 180° for better drive-in situation (+45°) for lifts installed in 90° angle to the drive lane
- Low minimum height

Standard colours:

- Carriage and arms: RAL 3020 – red
- Posts: RAL 7016 – grey

Versions:

- Available with different voltages
- F = flex pad
- DT/DT = double telescopic short arms / double telescopic short arms

Optional extras:

- Available with different portal heights, alternatively inground kit
- Set of expansion bolts
- LED-lighting set, flexible with spiral cable, fastening through magnets on posts or vehicle
- Energy set with compressed air and socket-outlet
- Extra control unit for second post
- Large program of extra pads, depending on type of vehicle

Special colours available on request!



Scan the QR-Code for detailed product information.

Further Information on www.autopstenhoj.com

AUTOPSTENHOJ GmbH

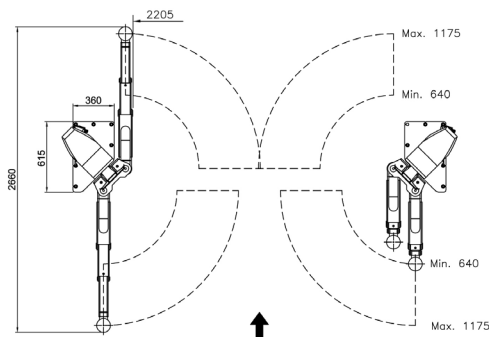
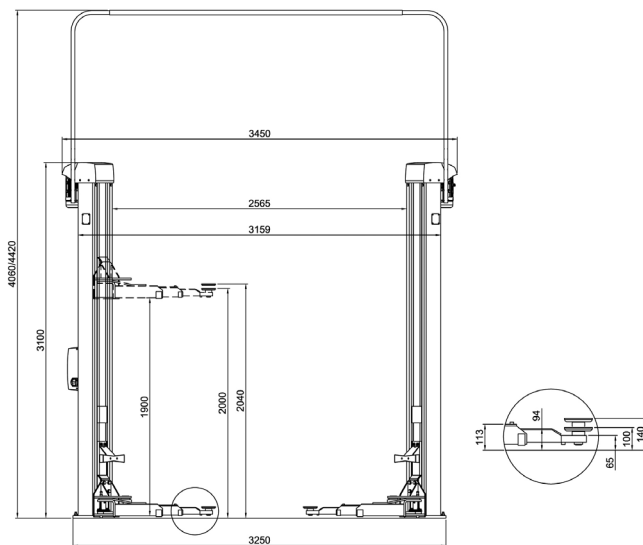
Sandkampstraße 90
D-48432 Rheine
+49 5971 8602-02
info@autopstenhoj.com

AUTOPSTENHOJ GmbH

Barrit Langgade 188-190
DK-7150 Barrit
+45 76 82 13 30
info@autopstenhoj.com

Technical data	
Lifting capacity	3,200 kg
Lifting height	1,900 mm
Working height	2,000 - 2,040 mm
Lifting / lowering time	approx. 35 sec.
Motor	2 x 2.8 kW
Voltage	3 x 230 / 400V – 50 Hz – 20 A

Arm superstructure	
Lifting pad included in the delivery	F: 11027: 100 – 140 mm
Height of plug-in in superstructure	F Standard: 65 mm
Min. height	100 mm, 90 mm with extra lifting pad 29265
Drive-through width	2,205 mm
Width between posts	2,565 mm
Total width - outer edges base plates	3,250 mm
Total height post	3,100 mm
Total height incl. portal	4,060 - 4,420 mm
Arm length front, min. - max.	F DT: 640 - 1,175 mm
Arm length rear, min. - max.	F DT: 640 - 1,175 mm



Pushbutton control unit with alarm signal



Arms can be opened more than 180° for better drive-in situation for lifts installed in 90° angle to the drive lane



Large door opening angle, door stop protection