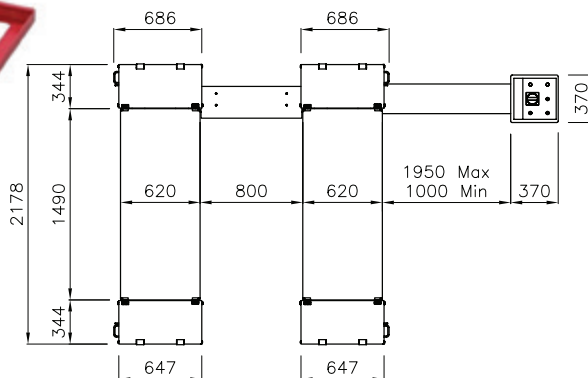
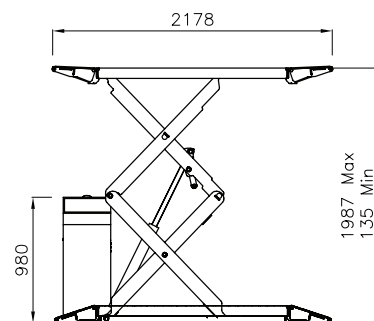


Hydraulic Low Profile Scissor Car Lift

Model: STRATOS SR40

Capacity: 4,000 kg

- Easy to handle drive-on and drive-off ramps
- Hydraulic synchronisation of platforms
- Overload safety-valve
- Safety valve in case of sudden loss of pressure
- Automatic lowering control
- “Dead man” controls 24V
- Set of 4 rubber pads
- ‘Buzzer’ on last portion of descent



Dati tecnici



Technical data



Technische Eigenschaften



Caractéristiques techniques



Datos técnicos

Funzionamento • Operation • Funktionsweise • Fonctionnement • Funcionamiento	Elettroidraulico • Electro-hydraulic • Elektrohydraulisch • Électrohydraulique • Electro-hidráulico
Portata • Capacity • Tragfähigkeit • Capacité • Capacidad	4.000 kg
Peso • Weight • Gewicht • Poids • Peso	900 kg
Salita/Discesa • Lifting/lowering • Hub/Senkzeit • Levage/descente • Subida/bajada	40 s - 30 s
Altezza di sollev. • Lifting height • Hubhöhe • Hauteur de levage • Altura de elevación	1987 mm
Motore • Motor • Motorleistung • Puissance moteur • Motor	3 kW -230-400V/50Hz-3ph



P & M AUTOMOTIVE EQUIPMENT
SALES & SERVICE



FOR MORE INFORMATION, PLEASE CONTACT

(08) 9209 1044

RECEPTION@PMAUTOEQ.COM.AU

U8/195-197 BANNISTER ROAD

(08) 9209 1744

WWW.PMAUTOEQ.COM.AU

CANNING VALE WA 6155

WORKSHOP FITOUTS | VEHICLE LIFTS | WORKSHOP EQUIPMENT | SERVICE & PARTS