

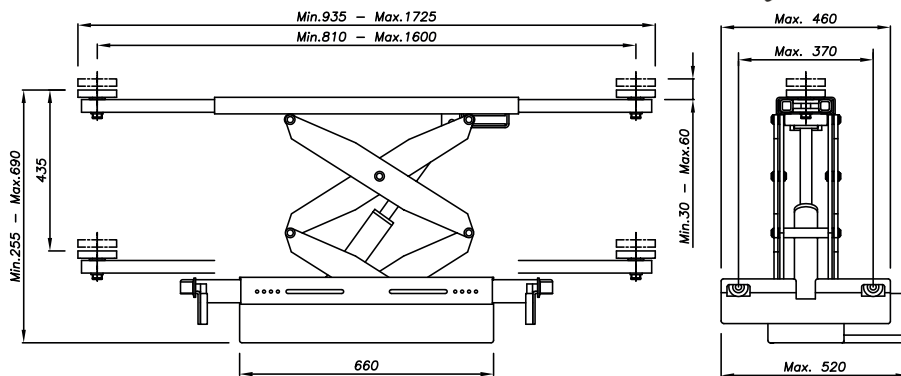
Hydraulic Jacking Beam

Model: 496 / 3P

Capacity: 3,000 kg

Lifting up to 3t, this convenient hand hydraulic jacking beams are ideal for lifting heavier passenger cars and vans. With its manual pump, you can lift quickly and efficiently, every time.

- 3t lift capacity
- Hand hydraulic
- Manual acting pump maximum safety during locking procedures



Dati tecnici	Technical data	Technische Eigenschaften	Caractéristiques techniques	Datos técnicos	
Portata	Capacity	Hubkraft	Capacité	Capacidad	3.000 kg
Spostamento vert. del carico	Lifting height	Hubhöhe	Hauteur de levée	Desplazamiento vert. de la carga	435 mm
Estensione min (bracci chiusi)	Min extension (arms retracted)	Min. Aufnahmebreite (Arme voll eingefahren)	Extension min. des bras (bras rentrés)	Extensión mín. (brazos cerrados)	935 mm
Estensione max. (bracci aperti)	Max. extension (arms extracted)	Max. Aufnahmebreite (Arme voll ausgefahren)	Extension max des bras (bras sortis)	Extensión máx. (brazos abiertos)	1.725 mm
Scartamento delle ruote di scorrimento	Gauge	Spurweite	Ecartement des roulettes	Ancho de via	vedere dettagli schemi - please refer to carriage diagrams
Peso della traversa	Weight	Gewicht	Poids	Peso del travesaño	150 kg



FOR MORE INFORMATION, PLEASE CONTACT

1300 694 363 747 [MY GENESIS]

SALES@GENESEQUIPMENT.COM.AU

UNIT 2 / 67 RADLEY ST, VIRGINIA QLD 4014

0417 788 058

WWW.GENSEQUIPMENT.COM.AU

PO BOX 435, VIRGINIA BC QLD 4014

WORKSHOP FITOUTS | VEHICLE LIFTS | WORKSHOP EQUIPMENT | SERVICE & PARTS